

# SENET 3217

PROJECT PROJET

SPEC TYPE

NOTES



## FAMILY FAMILLE



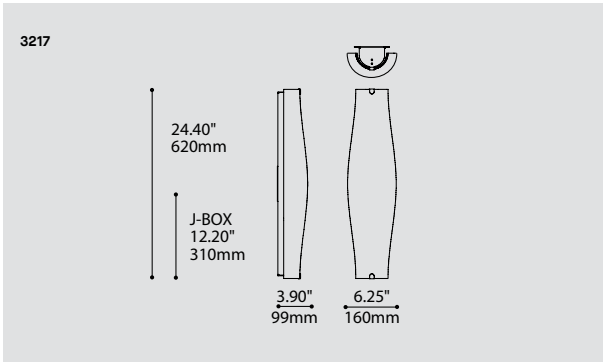
4234-XFY



4427-XFY



4425-XFY



## ORDERING SPECIFICATION SPÉCIFICATION DE COMMANDE

CODE

MODEL MODÈLE

3217 SENET

3217

LIGHT SOURCE SOURCE LUMINEUSE

(WATTAGE, LAMP TYPE, LAMP FORM, BASE TYPE, OTHER INFO)

LED REGULAR OUTPUT  
LED.HO HIGH OUTPUT

COLOR TEMPERATURE TEMPÉRATURE DE COULEUR

30 3000K  
35 3500K  
40 4000K

VOLTAGE VOLTAGE

120V 120 VOLT  
277V 277 VOLT

DIMMING OPTION OPTION DE GRADATION

DV 0-10V DIMMING (120-277V)  
DP PHASE DIMMING (120V ONLY)

HOUSING & END CAP FINISH FINI BOITIER & EMBOUTS

CHR CHROME

CHR

DIFFUSER FINISH FINI DIFFUSEUR

WH WHITE

WH

ACCESSORY ACCESSOIRE

3980 MINI JUNCTION BOX

## PRODUCT CHARACTERISTICS CARACTÉRISTIQUES DU PRODUIT



**DESIGN:** Graceful lines diffuse light beautifully along this elegant form. Chrome end caps and ADA compliant.

**LIGHT SOURCE:** LED light sources. Dimming available.

**HOUSING & END CAPS:** Die-stamped steel structure with plated finish.

**DIFFUSER:** Hand blown white triplex glass.

**CERTIFIED:** c-CSA-us

**CONCEPTION:** Lignes gracieuses diffusant magnifiquement la lumière le long de cette forme élégante. Embouts chromés. Conforme à la norme ADA.

**SOURCE LUMINEUSE:** DEL avec gradation disponible.

**BOITIER & EMBOUTS:** Acier embouti plaqué.

**DIFFUSEUR:** Verre triplex blanc soufflé à la main.

**CERTIFIÉ:** c-CSA-us

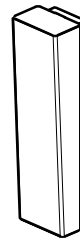
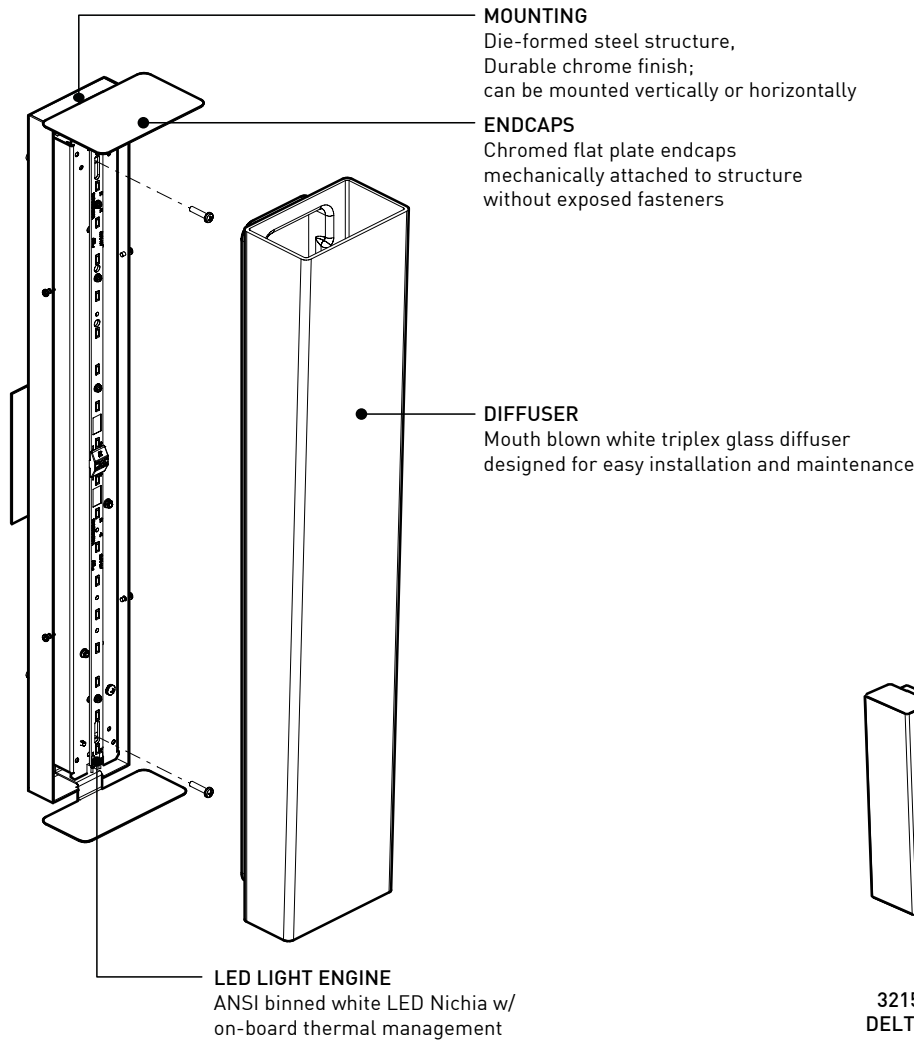
# Anatomy

ADA

BIM

DIM

LED



3215  
DELTA



3216  
FOLIA



3217  
SENET

## SPECIFICATIONS

LIGHT SOURCE

MODULE

LUMENS (DELIVERED)

SYSTEM WATTAGE

CCT / CRI

ROHS

THERMAL MANAGEMENT

LIGHT DISTRIBUTION

VOLTAGE

DIMMING

LM-79 / L70

HOUSING

DIFFUSER

MOUNTING

ENDCAPS

WARRANTY

## LED-REG

## LED-HO

18 x NICHIA LEDS

UL recognized - made in USA

690 lm

1002 lm

9W

13.5W

80 CRI (typical)

Compliant

Light Engine w/ on-board Thermal Management

Direct - 120° Beam Angle

120 or 277V

Phase (DP) or 0-10V (DV) Dimming

On request / Estimated 50 000 hrs

Formed Cold Rolled steel finished in white polyester powder coat (0.036" nominal thickness)

Mouth blown white triplex glass

Formed Cold Rolled Steel (0.060" nominal thickness) w/ Chrome Plated Finish

Precision laser cutting and Formed Cold rolled Steel (0.048" nominal thickness) w/ Chrome Plated Finish

5 years

# Photometrics

## 3217-LED-REG

CCT (K):	3500
Delivered Lumens (lm):	690
System wattage (W)*:	9
Distribution:	Semi-Direct
Delivered Efficacy (lm/W):	76.6
Photometric type	C

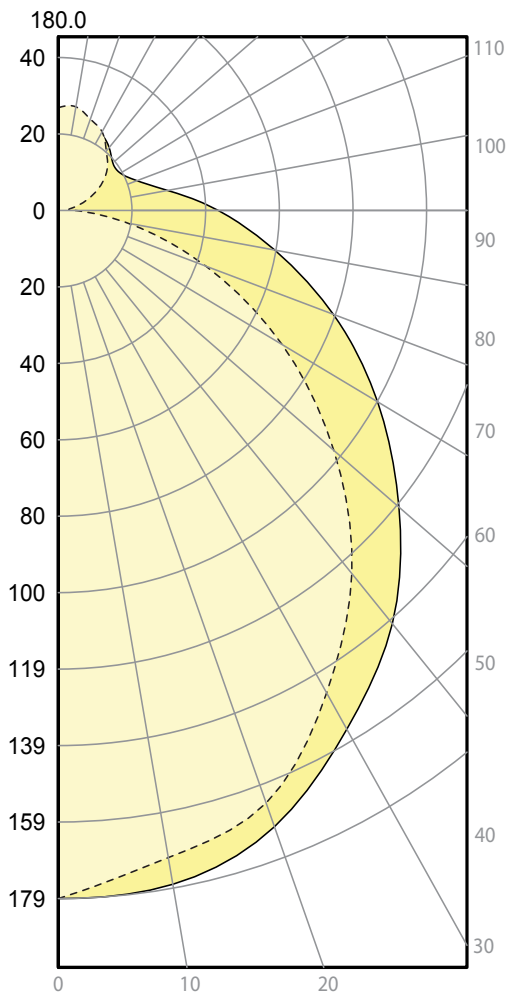
### Luminous dimensions

Luminous shape:	Circle
Units:	in (mm)
0-180 Axis:	24 (609.6)
90-270 Axis:	6 (152.4)
Height:	3.6 (91.44)

### Luminaire spacing criteria

2 luminaires, plane 0:	1.20
2 luminaires, plane 90:	1.29
4 luminaires:	1.38

*cd* *angles*



## 3217-LED-HO

CCT (K):	3500
Delivered Lumens (lm):	1002
System wattage (W)*:	13.5
Distribution:	Semi-Direct
Delivered Efficacy (lm/W):	74.2
Photometric type	C

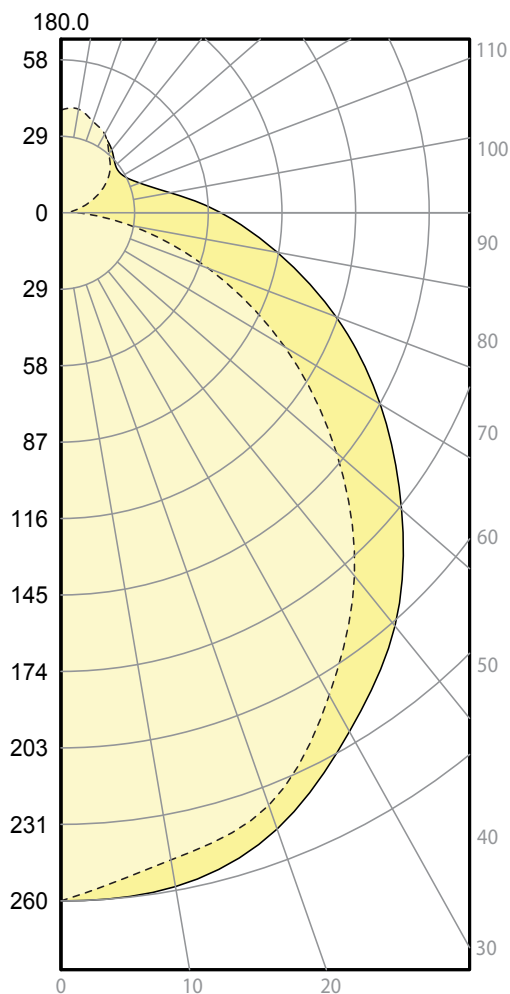
### Luminous dimensions

Luminous shape:	Circle
Units:	in (mm)
0-180 Axis:	24 (609.6)
90-270 Axis:	6 (152.4)
Height:	3.6 (91.44)

### Luminaire spacing criteria

2 luminaires, plane 0:	1.20
2 luminaires, plane 90:	1.29
4 luminaires:	1.37

*cd* *angles*



This photometric report has been generated using methods recommended by the IESNA. Calculations are based on simulated photometric data and can change without notice. End-user environment and application (including, but not limited to, voltage variation and dirt accumulation) can cause actual photometric performance to differ from the performance calculated using the data provided by the manufacturer. In no event will Eureka Lighting be responsible for any loss resulting from any use of this report.

# SENET 4234-XFY

PROJECT PROJET

SPEC TYPE

NOTES



## OVERALL HEIGHT HAUTEUR HORS TOUT

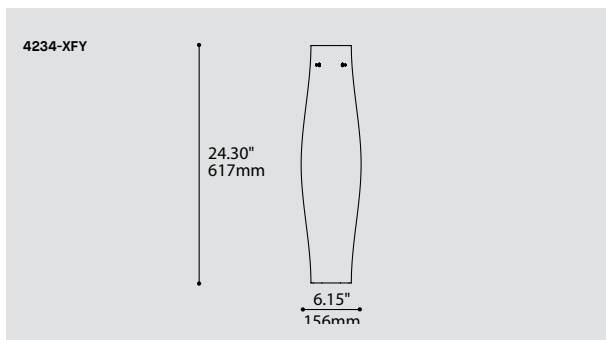
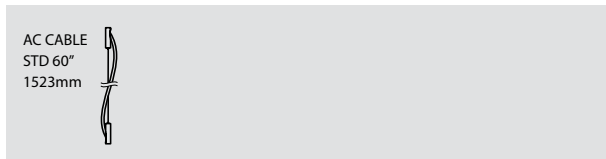
LIGHT SOURCE	INC TRACK 1 CIRCUIT	LED TRACK 1 CIRCUIT	INC	LED
MOUNTING	2734B	2734F	2401E	2402G
CABLE	83.60"	85.00"	83.25"	84.00"

## MOUNTING OPTIONS OPTIONS DE MONTAGE

2734B	2734F	2401E	2402G
1.46" x 1.36" 37 x 35mm	7.25" x 1.70" 37 x 35mm	Ø4.50" x 1.00" Ø114 x 25mm	Ø5.25" x 1.75" Ø133 x 44mm

\* OVERALL HEIGHT DOES NOT INCLUDE TRACK THICKNESS

## STEM OR CABLE OPTIONS OPTIONS DE TIGE OU CABLE



## ORDERING SPECIFICATION SPÉCIFICATION DE COMMANDE

CODE

MODEL MODÈLE

4234-XFY

4234-XFY SENET

LIGHT SOURCE SOURCE LUMINEUSE

(WATTAGE, LAMP TYPE, LAMP FORM, BASE TYPE, OTHER INFO)

INC.100 100W, INC, B10 / HAL T10, MEDIUM BASE (120V ONLY)  
LED REGULAR OUTPUT  
LED.HO HIGH OUTPUT

COLOR TEMPERATURE TEMPÉRATURE DE COULEUR

FOR LED ONLY

30 3000K  
35 3500K  
40 4000K

VOLTAGE VOLTAGE

120V 120 VOLT  
277V\* 277 VOLT  
\*NOT AVAILABLE WITH A TRACK ADAPTOR

DIMMING OPTION OPTION DE GRADATION

FOR LED ONLY

DV\* 0-10V DIMMING (120-277V)  
DP PHASE DIMMING (120V ONLY)  
\*NOT AVAILABLE WITH A TRACK ADAPTOR

CABLE CABLE

AC

AC AIRCRAFT MOUNTING & CLEAR CABLE, FIELD ADJUSTABLE

CABLE LENGTH LONGUEUR DE CABLE

60 60" AIRCRAFT CABLE (STD LENGTH)  
\*\* CUSTOM AIRCRAFT CABLE LENGTH (PLEASE SPECIFY)  
FOR OVERALL LENGTH PLEASE CONTACT YOUR EUREKA REPRESENTATIVE.

MOUNTING MONTAGE

RC ROUND CANOPY / PAVILLON ROND  
FOR INC: 1.00" CANOPY (2401E)  
FOR LED: 1.75" CANOPY (2402G)

TA1 TRACK ADAPTOR / ADAPTEUR DE RAIL  
1 CIRCUIT  
INC 120V ADAPTOR (2734B)  
LED NON-DIMMING 120V ADAPTOR (2734F)

TRACK ADAPTOR FINISH FINI ADAPTEUR DE RAIL (A)

WH WHITE  
BLK BLACK  
MG METALLIC GRAY

(A) FILL IN IF A TRACK ADAPTOR IS SELECTED, OTHERWISE LEAVE EMPTY

STRUCTURE FINISH FINI STRUCTURE

WHE

WHE WHITE FINE TEXTURE

DIFFUSER FINISH FINI DIFFUSEUR

WH

WH WHITE

## PRODUCT CHARACTERISTICS CARACTÉRISTIQUES DU PRODUIT

**BIM** **DIM** **IES** **LED**

**DESIGN:** Elegant glass shade that diffuses light beautifully along graceful lines.  
**STRUCTURE:** Quad-pin shade support and die-stamped steel structure with white plated finish.  
**DIFFUSER:** Hand blown white triplex glass.  
**CERTIFIED:** c-CSA-us

**CONCEPTION:** Suspension de verre élégante qui diffuse la lumière magnifiquement le long des lignes gracieuses.

**STRUCTURE:** Support à quatre tiges et structure en acier embouti blanc.  
**DIFFUSEUR:** Verre triplex blanc soufflé à la main.  
**CERTIFIÉ:** c-CSA-us

## FAMILY FAMILLE



3217



4427-XFY



4425-XFY

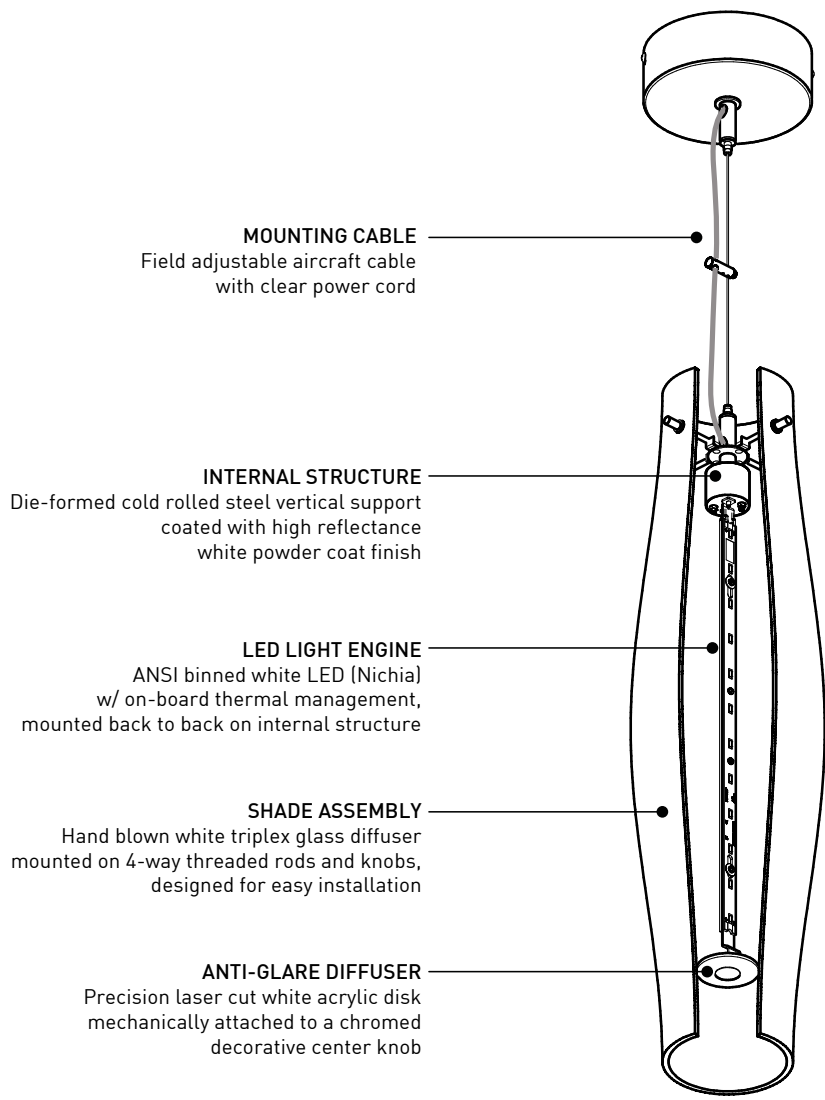
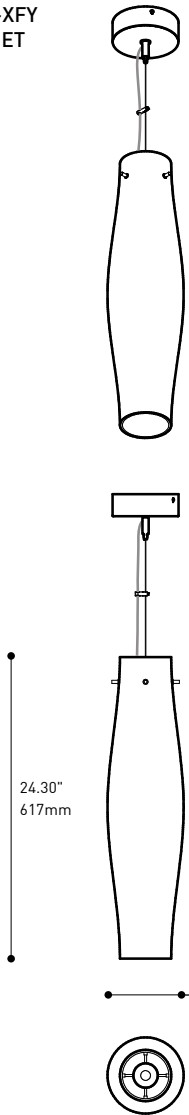
# Anatomy

BIM

DIM

LED

4234-XFY  
SENET



SPECIFICATIONS	LED-REG	LED-HO	INCANDESCENT
LIGHT SOURCE	24 x NICHIA LEDS		1 x 100w B10
MODULE	UL recognized - made in USA		
LUMENS (DELIVERED)	923 lm	1327 lm	
SYSTEM WATTAGE	13W	18W	100W
CCT / CRI	80 CRI (typical)		
ROHS	Compliant		
THERMAL MANAGEMENT	Light Engine w/ on-board Thermal Management		
LIGHT DISTRIBUTION	General diffused - 120° Beam Angle		General diffused
VOLTAGE	120V or 277V		120V only
DIMMING	Phase (DP) or 0-10V (DV) Dimming		N/A
LM-79 / L70	On request / Estimated 50 000 hrs		
STRUCTURE	Formed Cold Rolled steel finished in white polyester powder coat (0.060" nominal thickness)		
SHADE	Hand blown white triplex glass w/ 4-way side mounting points		
MOUNTING	Round white ceiling canopy and exposed powerfeeds		
DIFFUSER	Precision laser cutting white acrylic disk (3mm nominal thickness) combined w/ chromed decorative knob		
WARRANTY	5 years		1 year

# Photometrics

## 4234-XFY-LED-REG

CCT (K):	3500
Delivered Lumens (lm):	923
System wattage (W)*:	10.1
Distribution:	Direct-Indirect
Delivered Efficacy (lm/W):	91
Photometric type	C

### Luminous dimensions

Luminous shape:	Circle
Units:	in (mm)
0-180 Axis:	6 (152.4)
90-270 Axis:	6 (152.4)
Height:	24 (609.6)

### Luminaire spacing criteria

2 luminaires, plane 0:	4.89
2 luminaires, plane 90:	4.10
4 luminaires:	4.23

## 4234-XFY-LED-HO

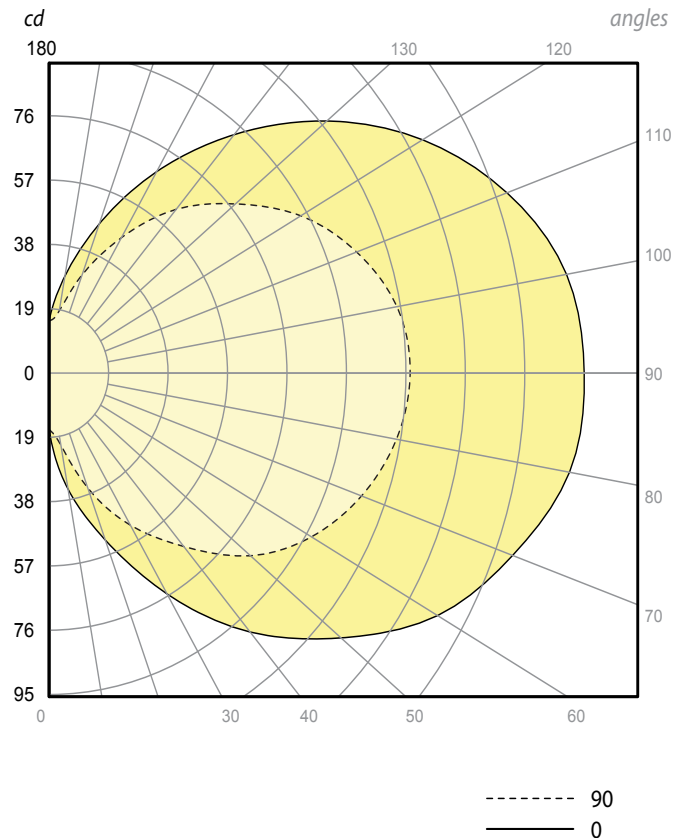
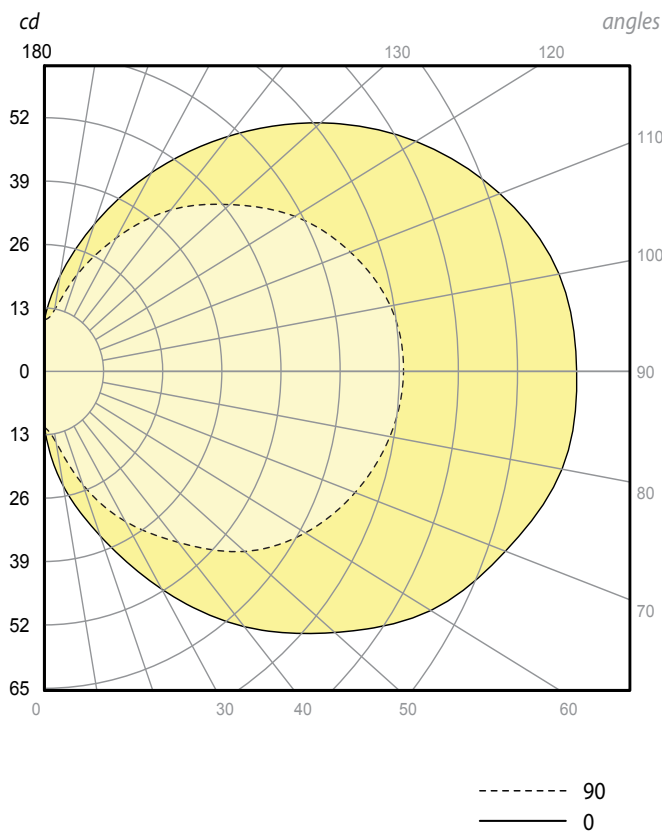
CCT (K):	3500
Delivered Lumens (lm):	1327
System wattage (W)*:	14.5
Distribution:	Direct-Indirect
Delivered Efficacy (lm/W):	91
Photometric type	C

### Luminous dimensions

Luminous shape:	Circle
Units:	in (mm)
0-180 Axis:	6 (152.4)
90-270 Axis:	6 (152.4)
Height:	24 (609.6)

### Luminaire spacing criteria

2 luminaires, plane 0:	4.83
2 luminaires, plane 90:	4.06
4 luminaires:	4.17



This photometric report has been generated using methods recommended by the IESNA. Calculations are based on simulated photometric data and can change without notice. End-user environment and application (including, but not limited to, voltage variation and dirt accumulation) can cause actual photometric performance to differ from the performance calculated using the data provided by the manufacturer. In no event will Eureka Lighting be responsible for any loss resulting from any use of this report.





